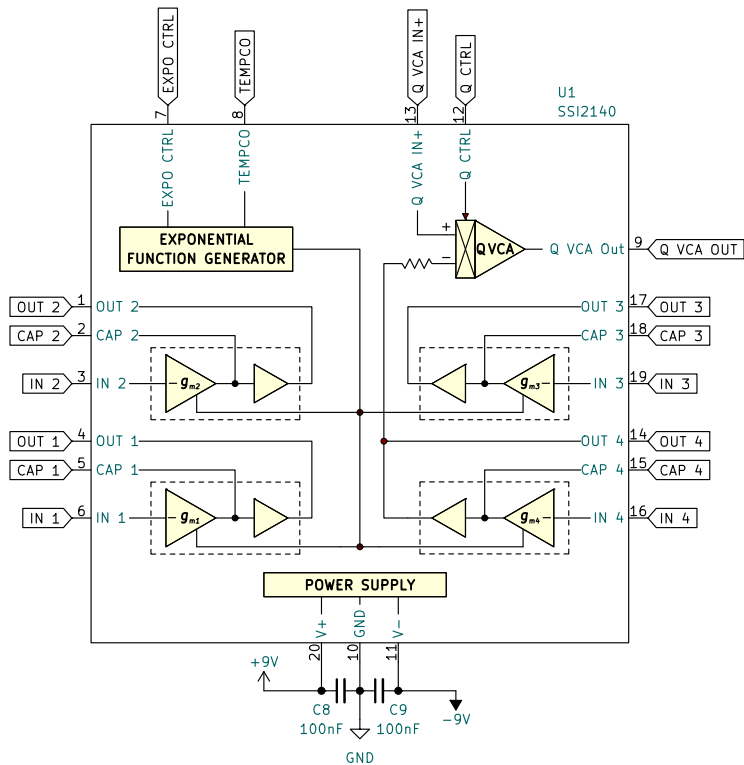


STAGE 1



Copyright © 2023 By Mod® Electronics

**Phase / Off (K-905)
Main PCB Schematic 1/3**

1

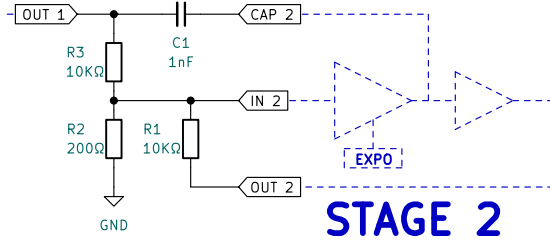
4

2

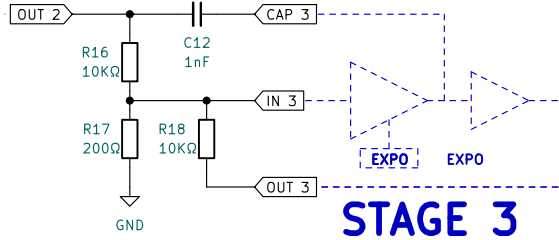
5

6

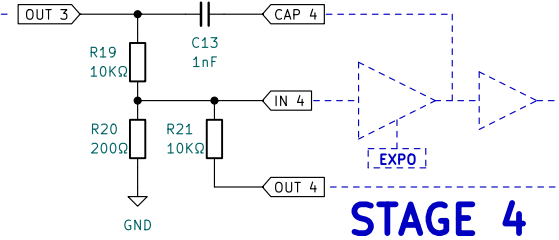
7



STAGE 2



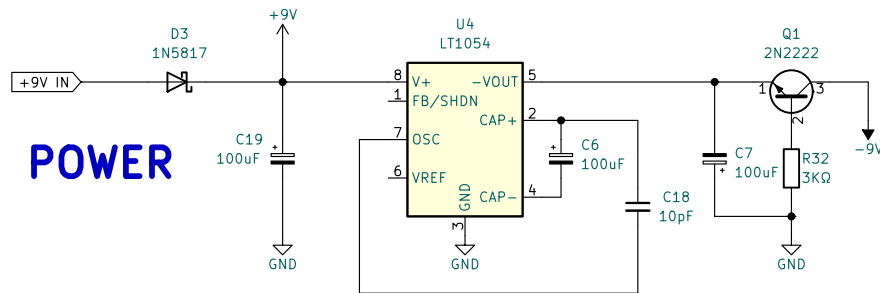
STAGE 3



STAGE 4

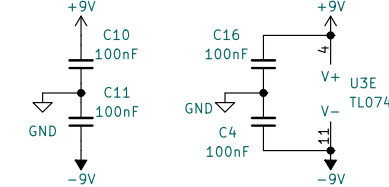
3

8



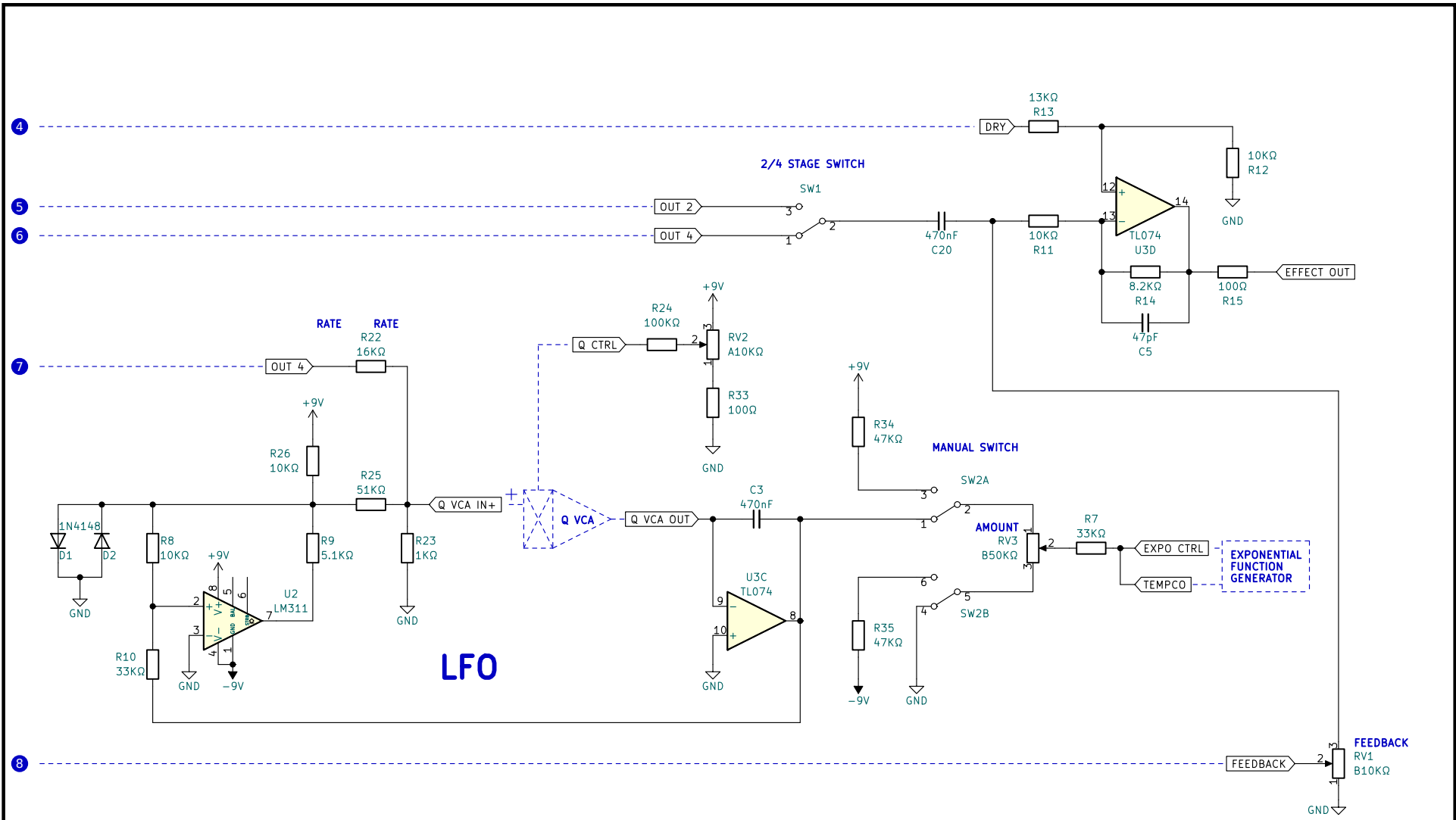
POWER

LM311 BYPASS CAPS



Copyright © 2023 By Mod® Electronics

Phase / Off (K-905)
Main PCB Schematic 2/3



Copyright © 2023 By Mod® Electronics

Phase / Off (K-905)
Main PCB Schematic 3/3