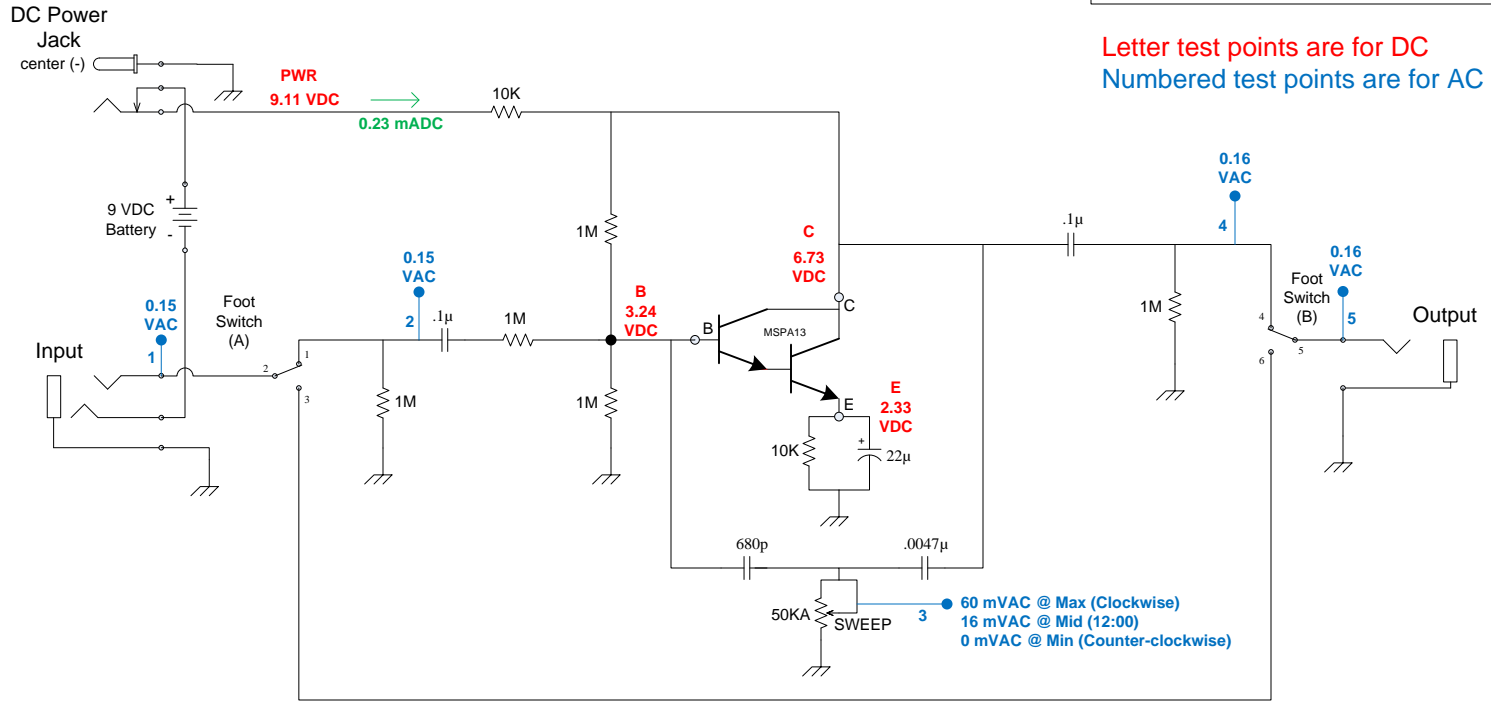
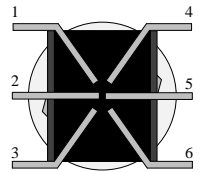


- DC Voltages measured with respect to ground.
 - AC Voltages measured with 50KA sweep pot set to half-way (12:00), except for test point 3.
- AC voltages measured while strumming an open E chord on a strat with single coil neck pickup (volume and tone turned all the up).

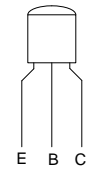
Letter test points are for DC
 Numbered test points are for AC



DPDT Foot Switch



MPSA13
 NPN Darlington Transistor



MOD[®]

www.modkitsdiy.com

Copyright © 2013 by modkitsdiy.com

"The Tea Philter" (K-970)
 Schematic