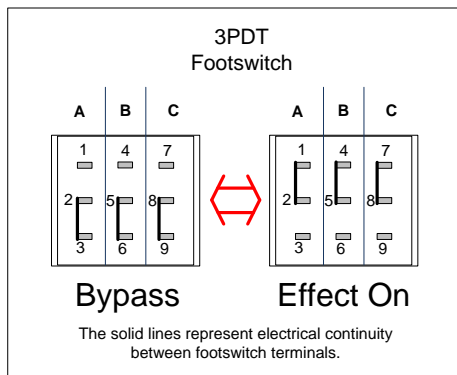


NUMBERS = AC signal test points

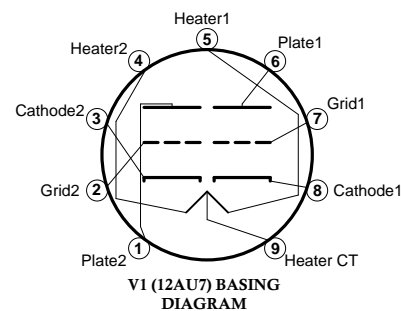
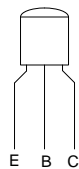
LETTERS = DC test points

*70mV(AC)

AC voltage measurements are rough approximations of open strumming with Mexican strat set to full volume/ tone with gain control at max setting



MPSA13 NPN Darlington Transistor



MOD™

www.modkitsdiy.com
Copyright © 2013 by modkitsdiy.com

"The Persuader Deluxe" (K-980)
Schematic