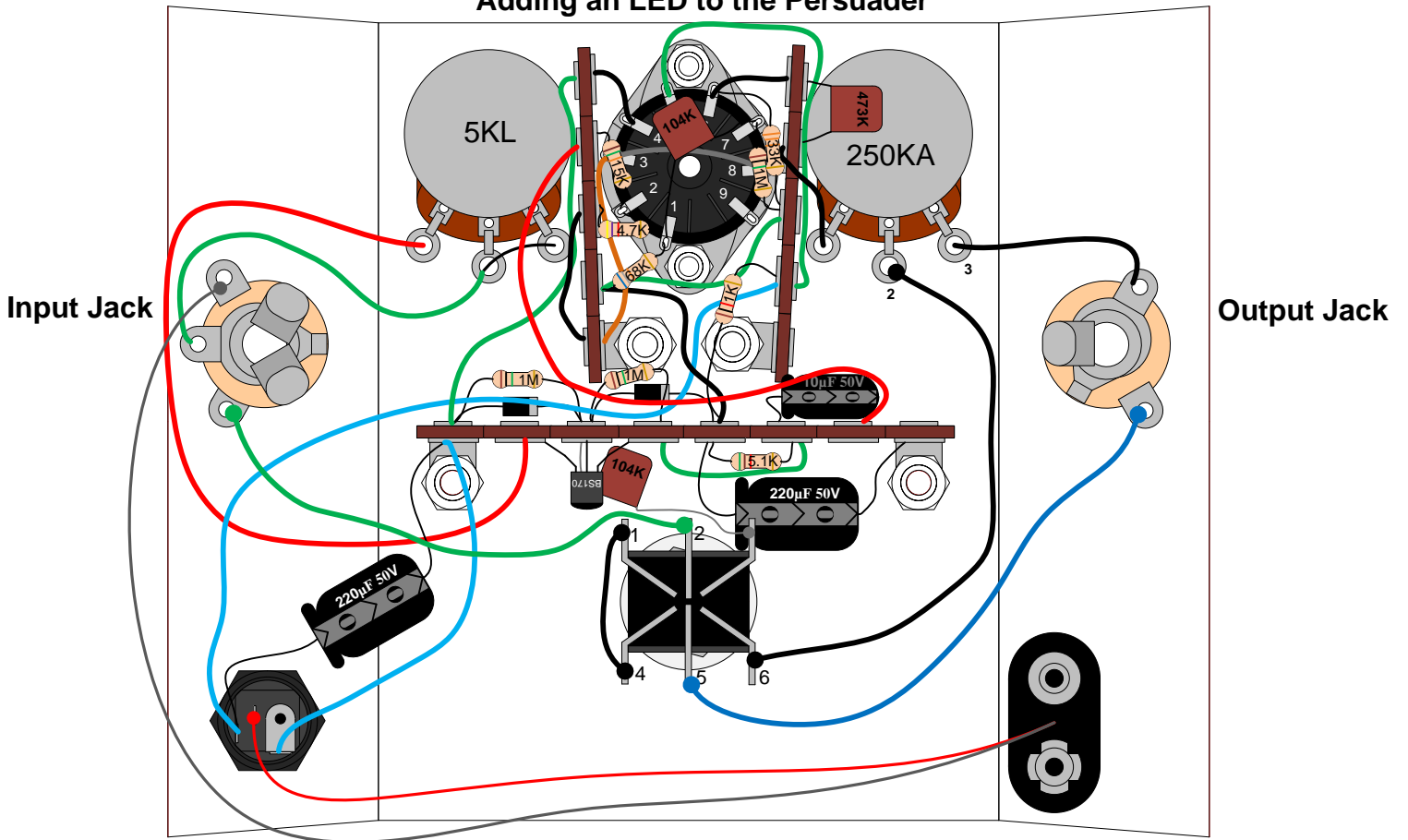
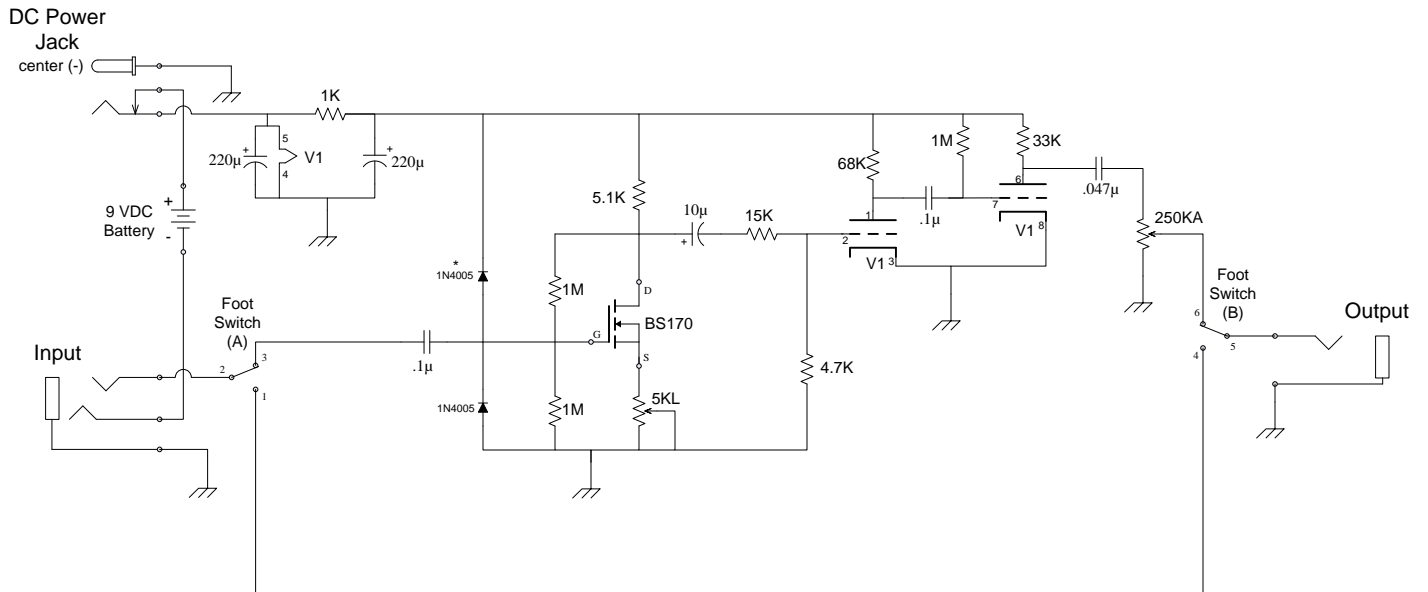


Adding an LED to the Persuader

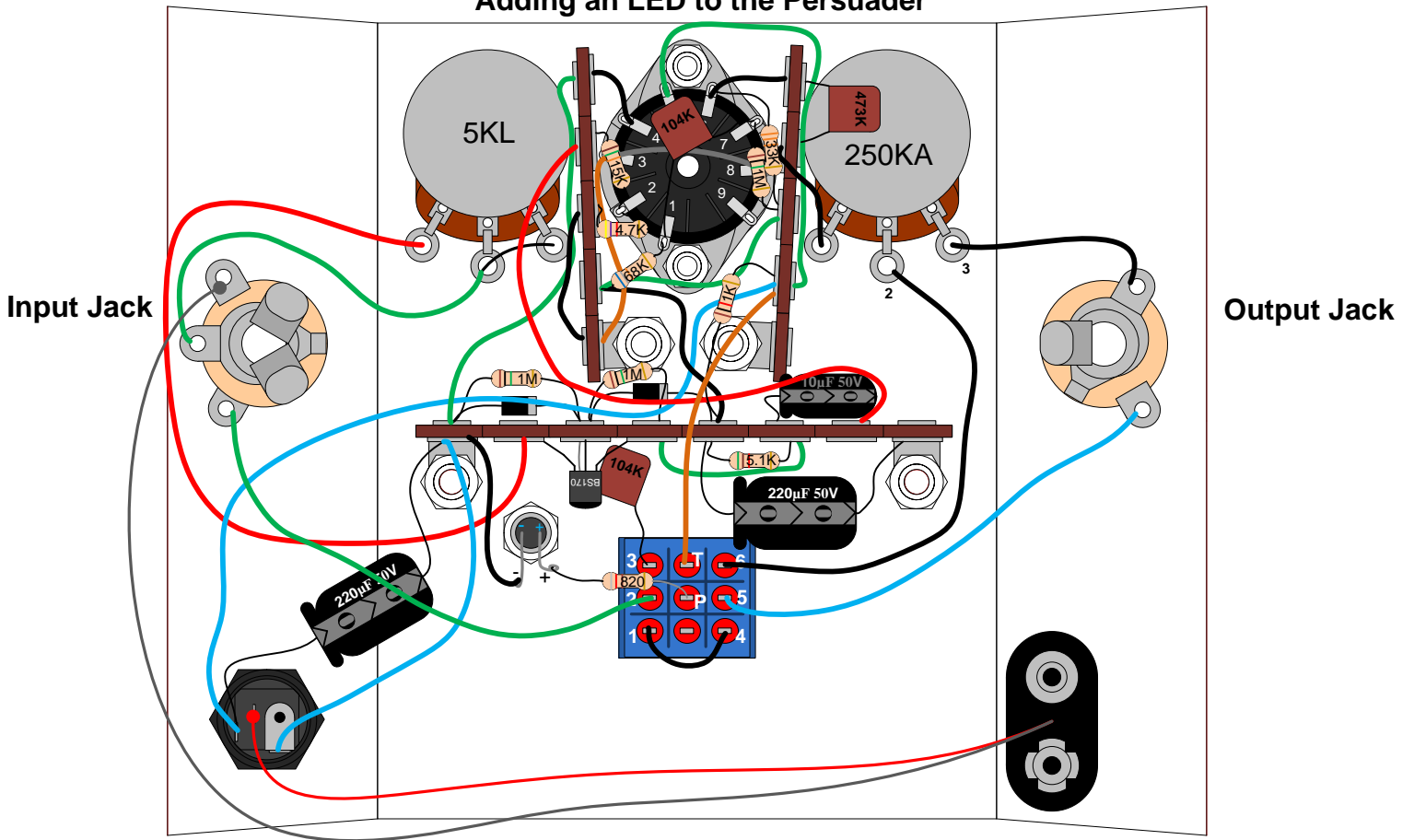


Layout - Before

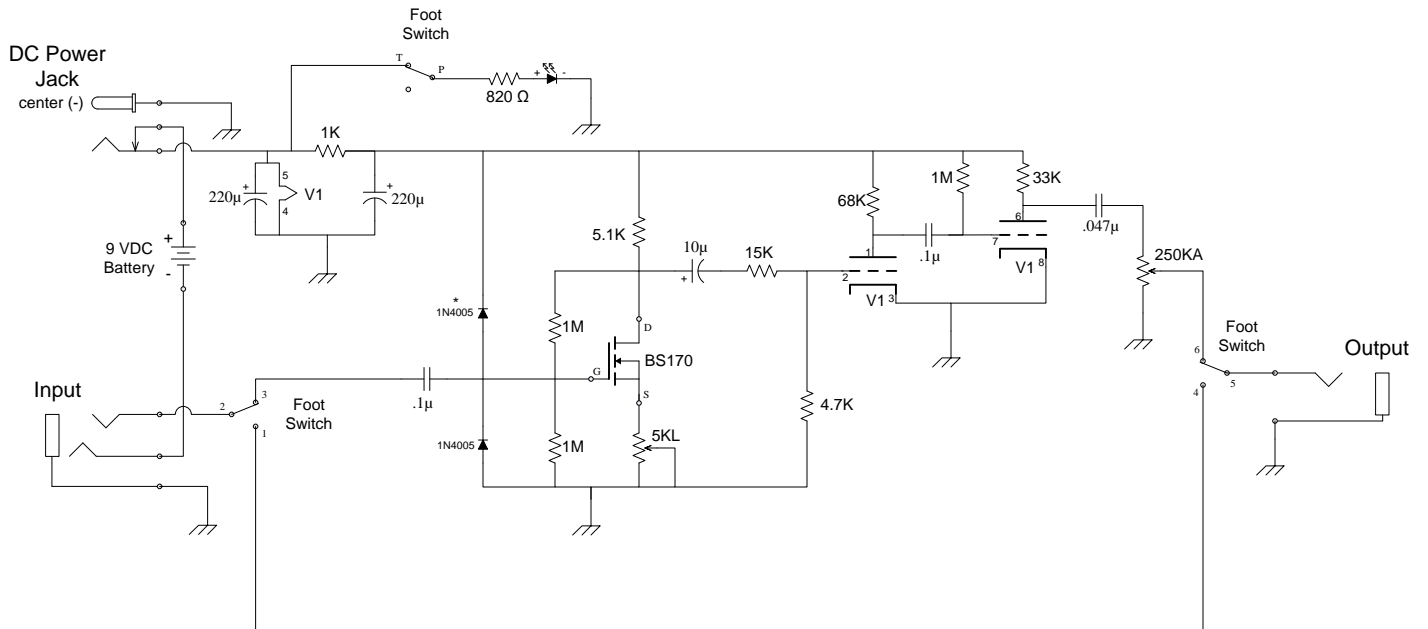


Schematic - Before

Adding an LED to the Persuader



Layout - After



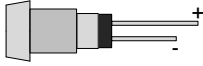
Schematic - After

Adding an LED to the Persuader - Parts

Light Emitting Diode

P-L400

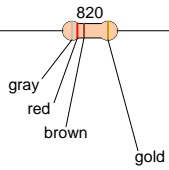
(1)



820Ω Resistor ½ W

R-A820

(1)



3PDT Foot Switch

P-H501

(1)

